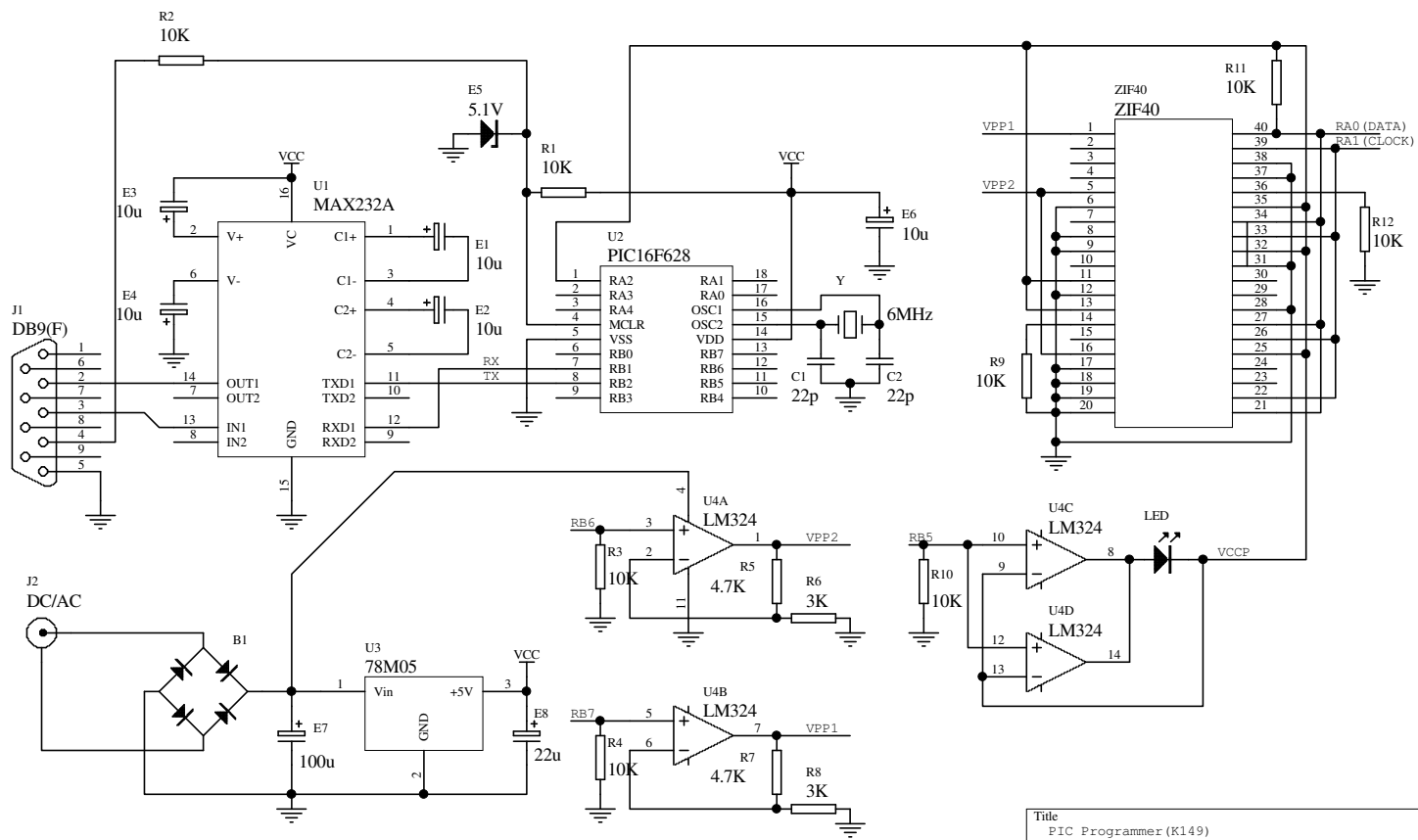


NOTE: E5 is using a 5.1V zener diode.



Title PIC Programmer (K149)		
Size A4	Number	Revision
Date: 10-Jan-2004	Sheet of	
File: G:\schematic\K149SIMU1.DDB	Drawn By:	